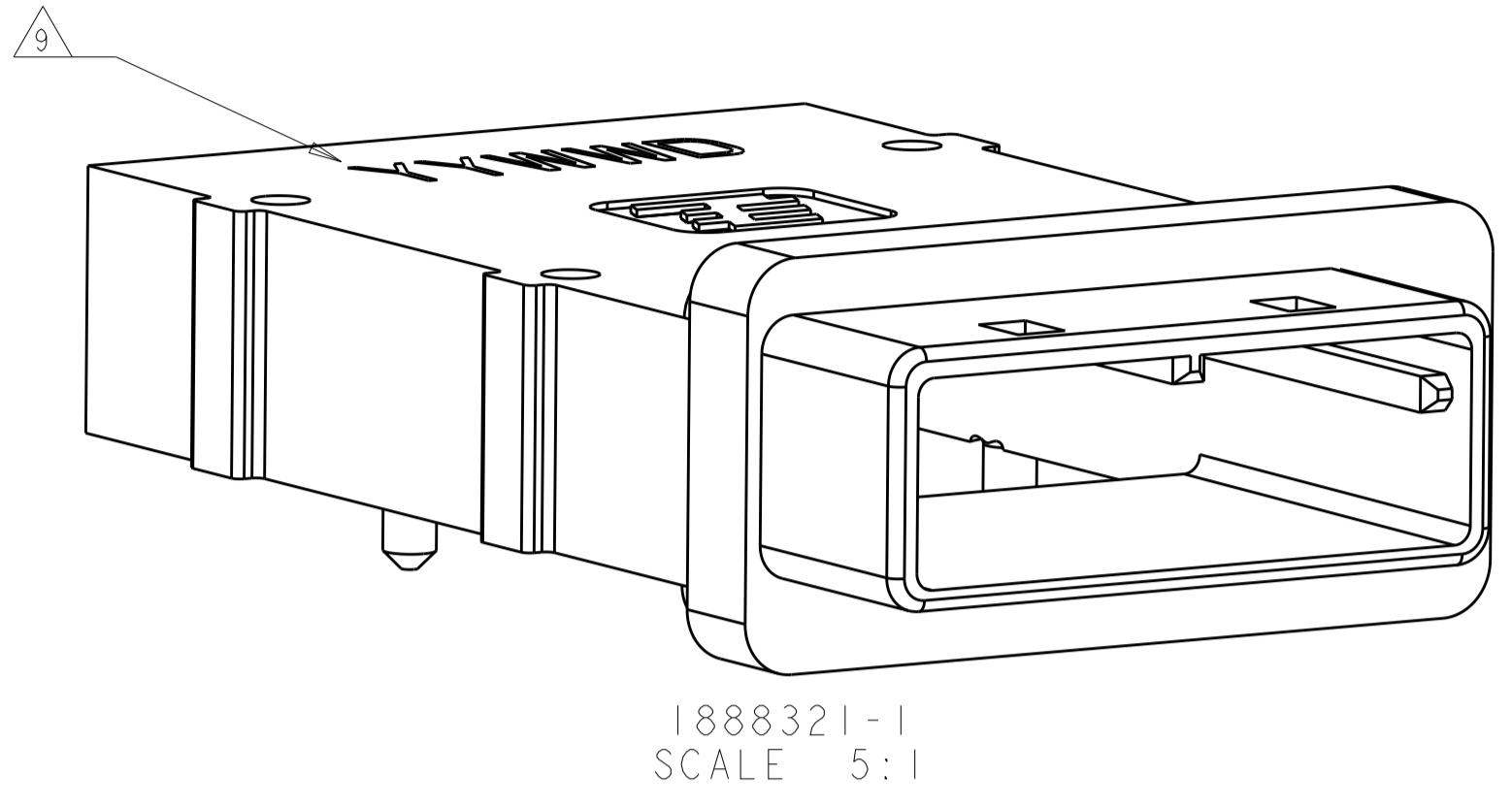
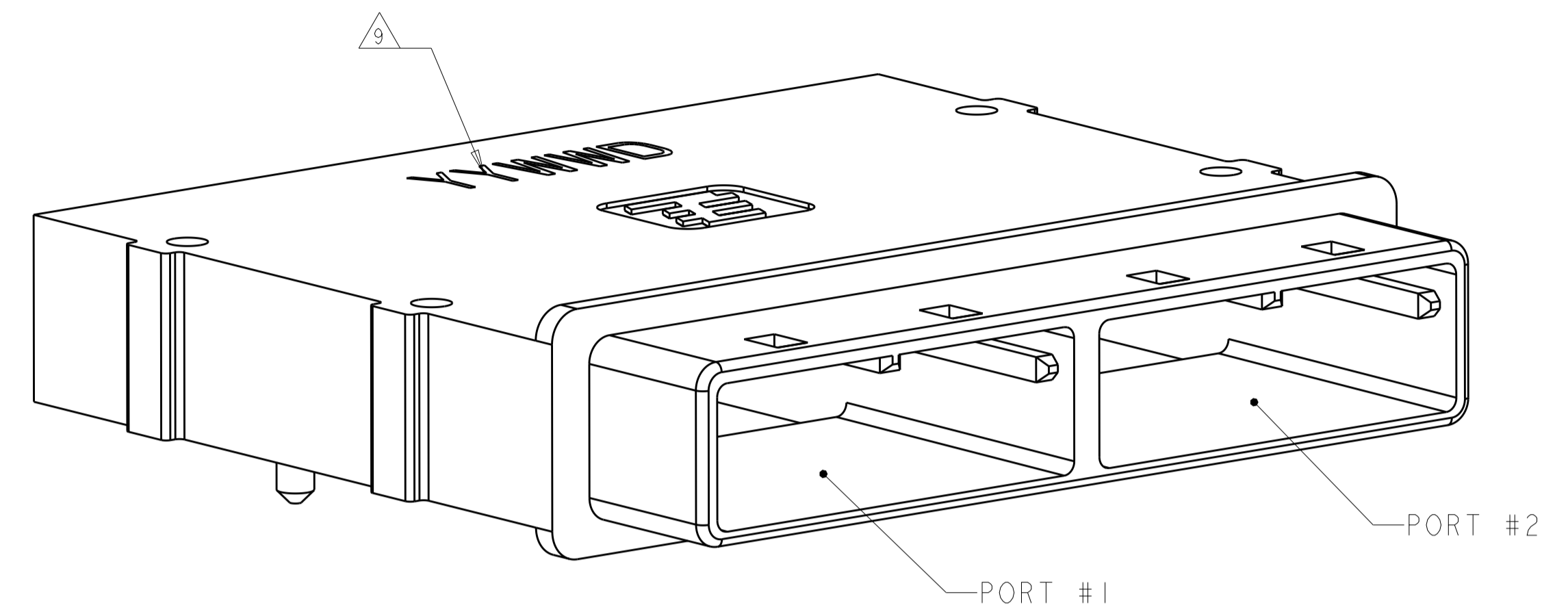


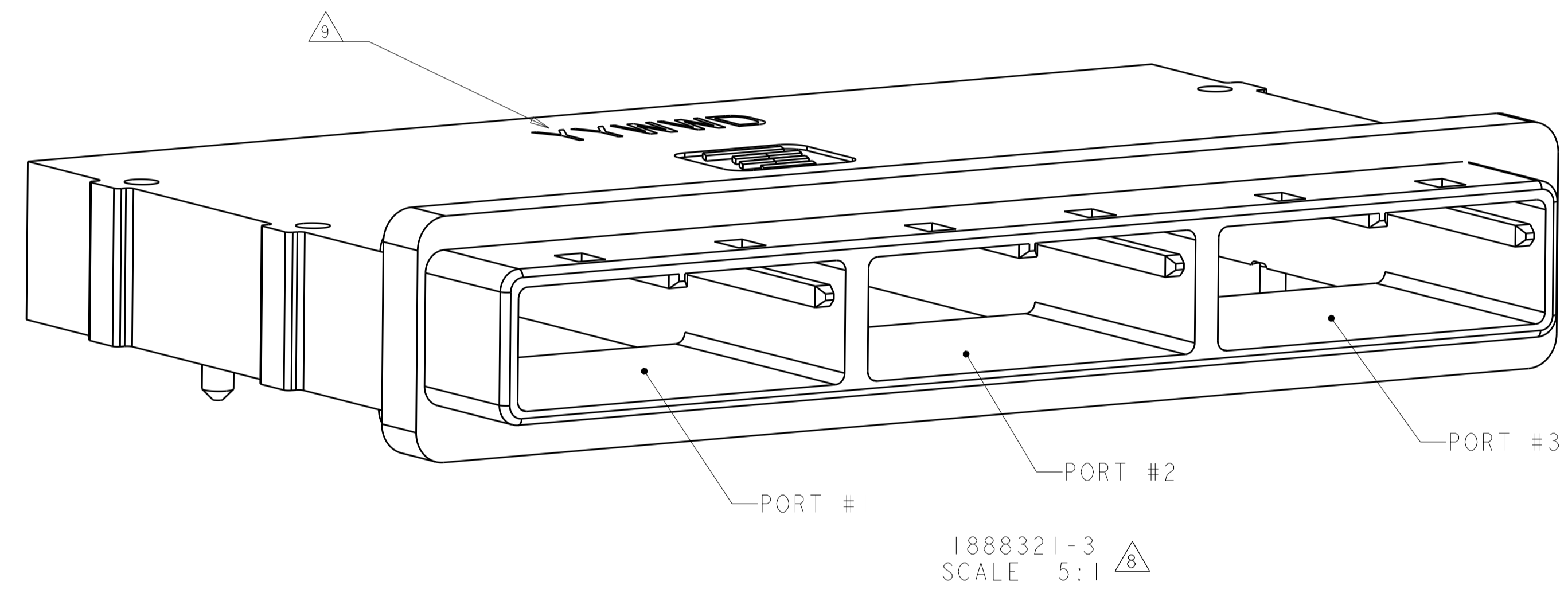
LOC		DIST		REVISIONS			
P	LTN	DESCRIPTION	DATE	DMN	APVD		
A2		REVISED PER ECO-11-004835	11MAR2011	RK	HMR		
B		REVISED PER ECO-12-014113	02AUG2012	JY	AC		
C		REVISED PER ECO-12-019905	04DEC2012	CJV	DLG		



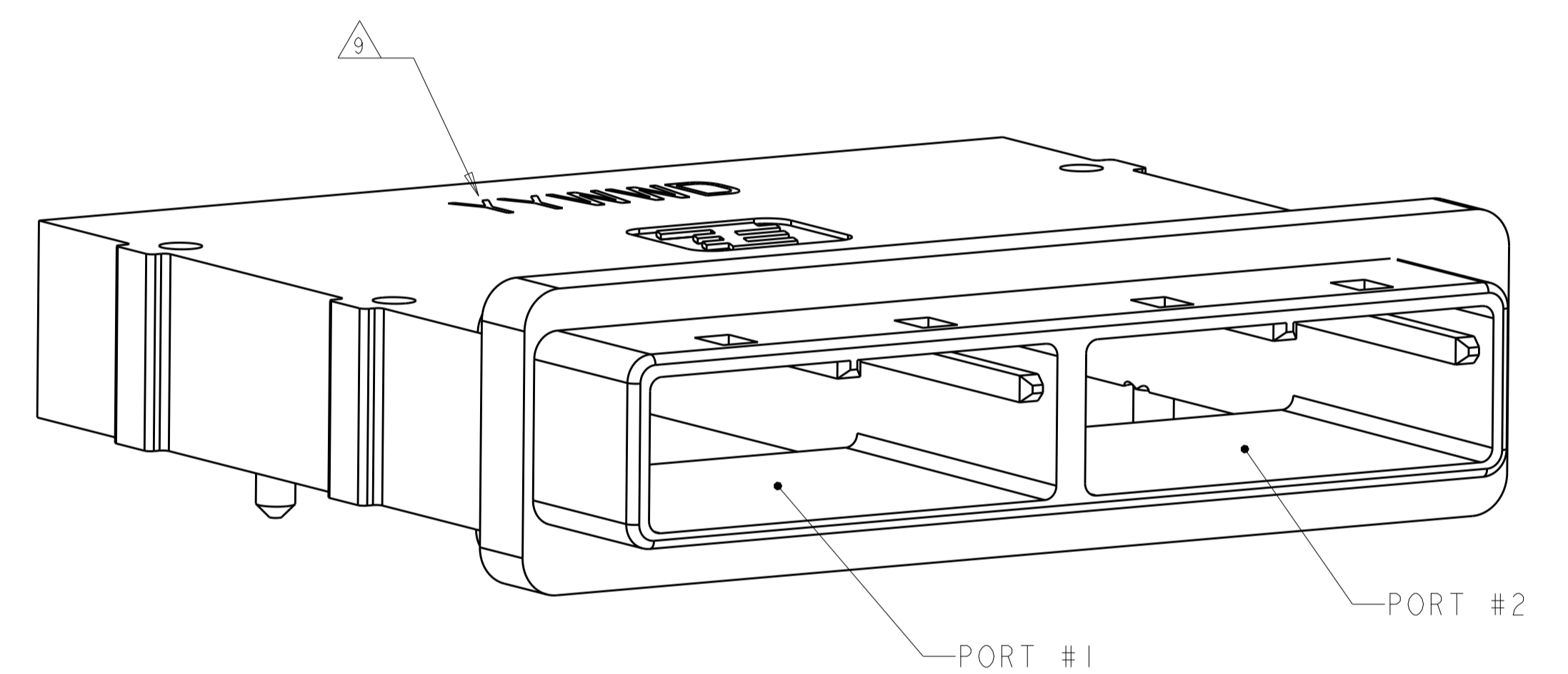
1888321-1  
SCALE 5:1



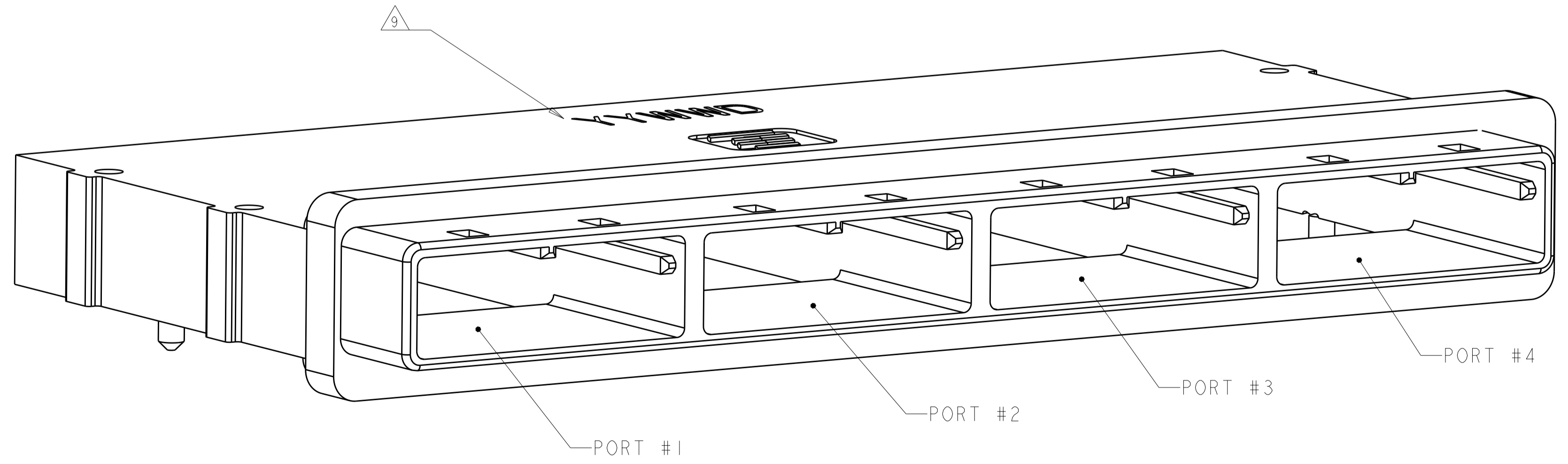
2-1888321-2  
NO GASKET  
SCALE 5:1



1888321-3  
SCALE 5:1



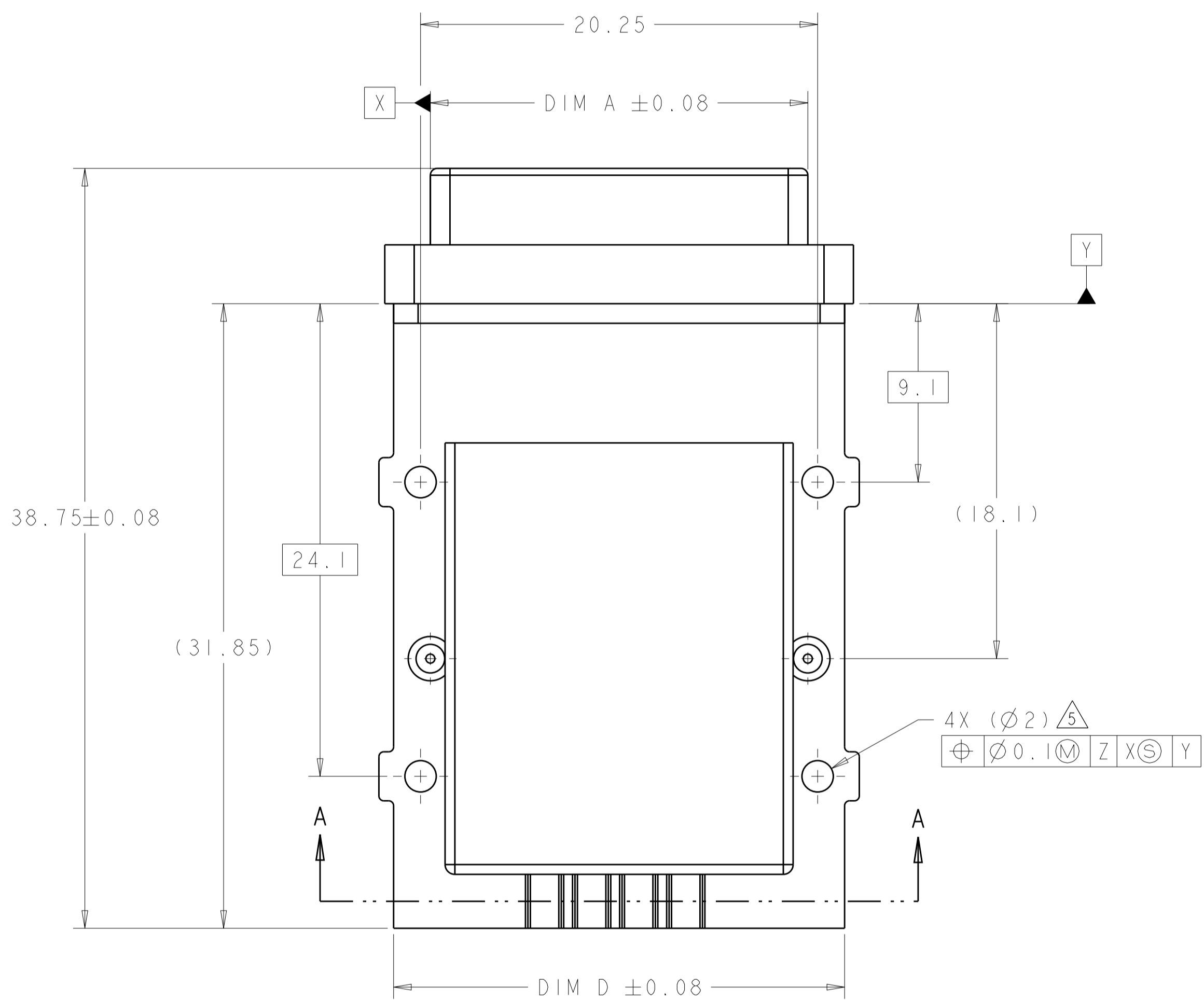
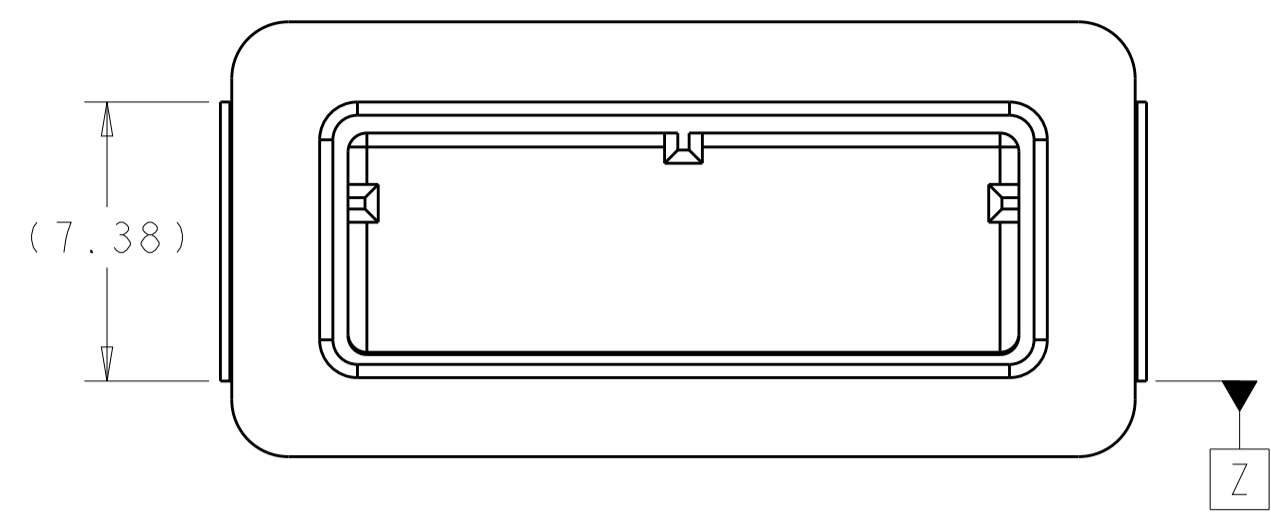
1888321-2  
SCALE 5:1



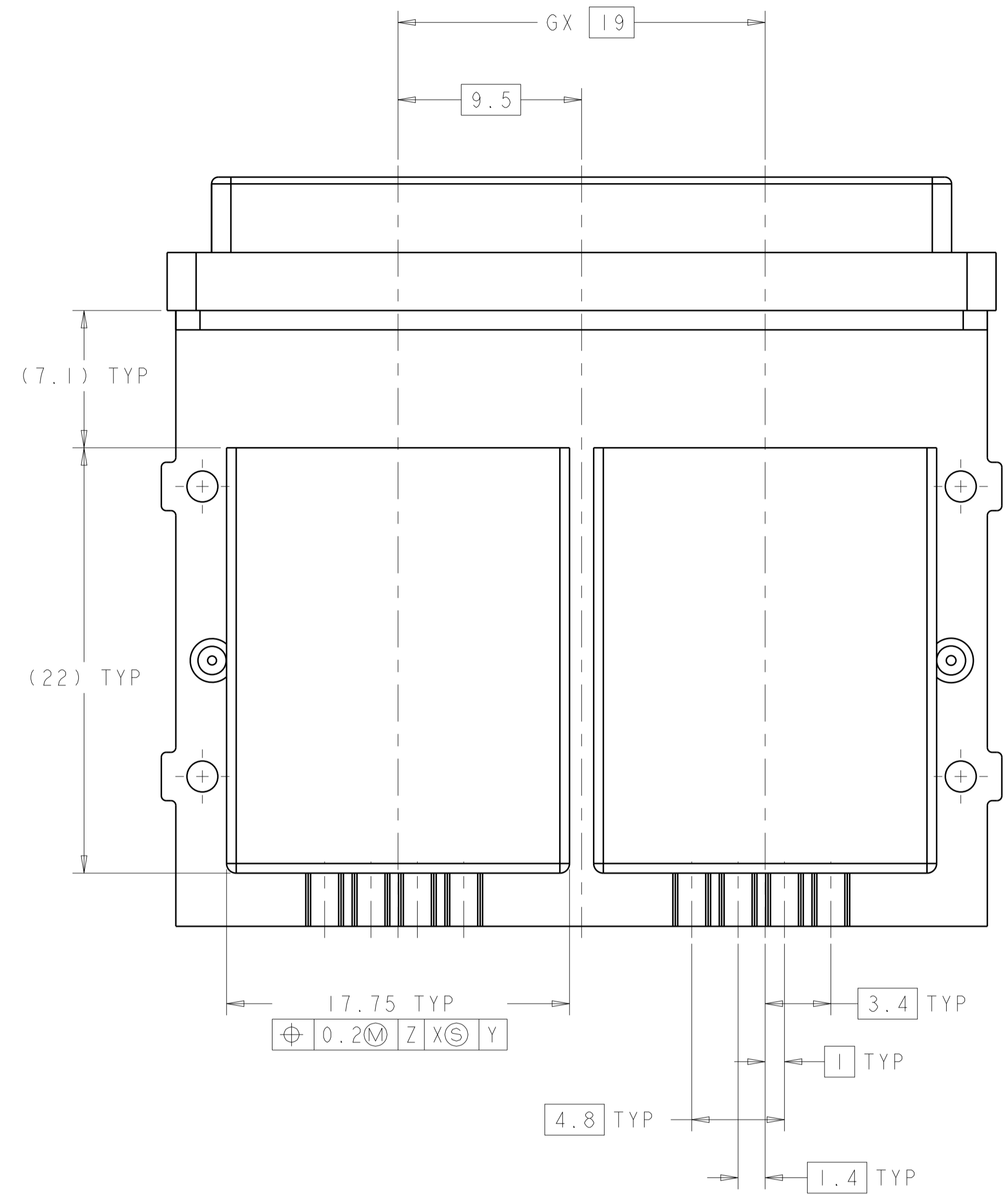
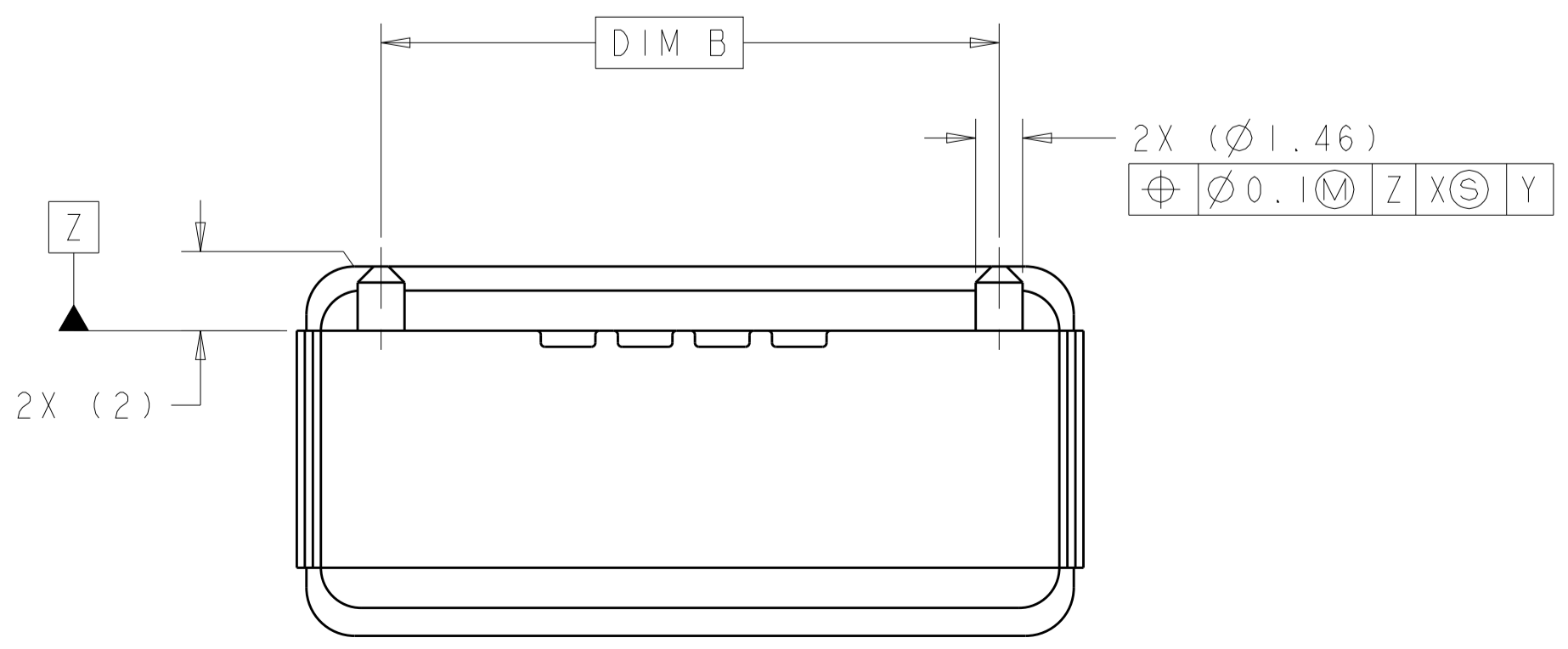
1888321-4  
SCALE 5:1

THIS DRAWING IS A CONTROLLED DOCUMENT. DIMENSIONING AND TOLERANCING PER ASME Y14.5M-2009.		DMN: J. POLIGNONE 01AUG07 CHK: D. GORENC 01AUG07 APVD: D. GORENC 01AUG07	TE Connectivity NAME: EVERCLEAR Mini-SAS EXTERNAL RECEPTACLE SHELL ASSEMBLY
DIMENSIONS: mm	TOLERANCES UNLESS OTHERWISE SPECIFIED:	PRODUCT SPEC	
0 PLC ± 1 PLC ± 2 PLC ± 3 PLC ± 4 PLC ± ANGLES ±	FINISH: SEE NOTES	APPLICATION SPEC	SIZE: A100779C=1888321
MATERIAL: SEE NOTES	FINISH: SEE NOTES	WEIGHT: -	RESTRICTED TO: -
		Customer Drawing	SCALE: 5:1 SHEET 1 OF 4 REV C

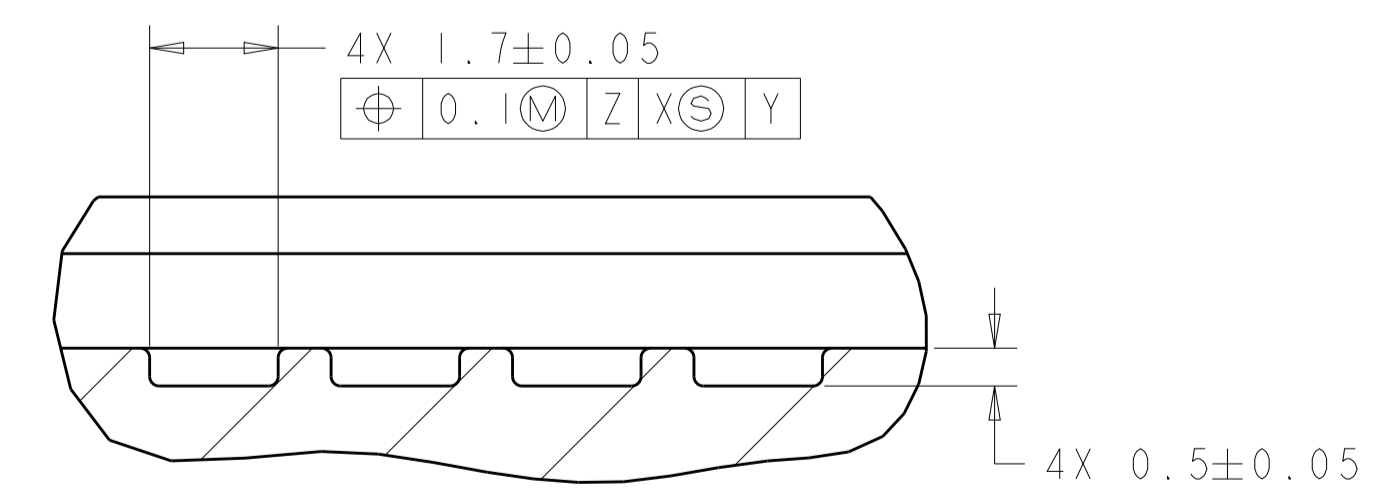
LOC	DIST	REVISIONS					
GP	00	P	LTN	DESCRIPTION	DATE	DWN	APVD
		-		SEE SHEET 1			



RECOMMENDED SINGLE PORT LAYOUT  
 SAME AS 1888321-1 EXCEPT AS SHOWN  
 SCALE 5:1



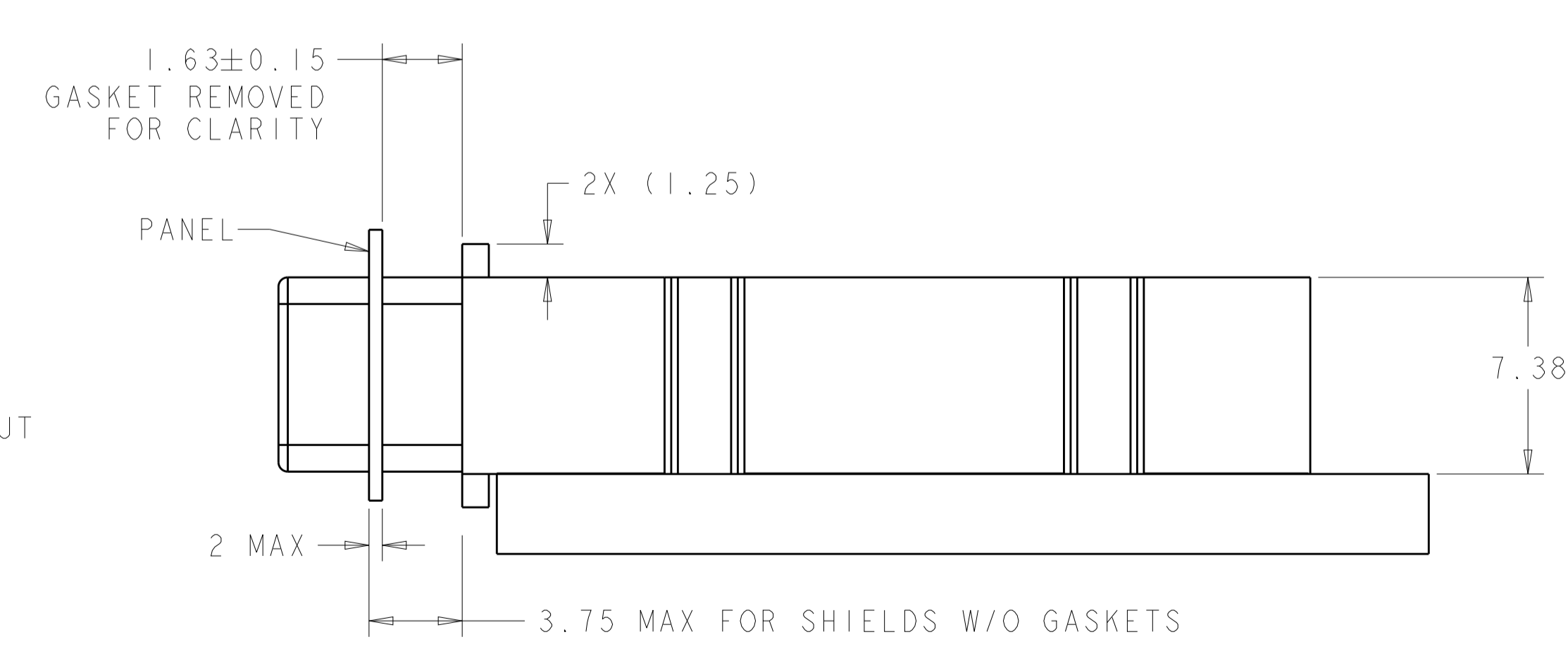
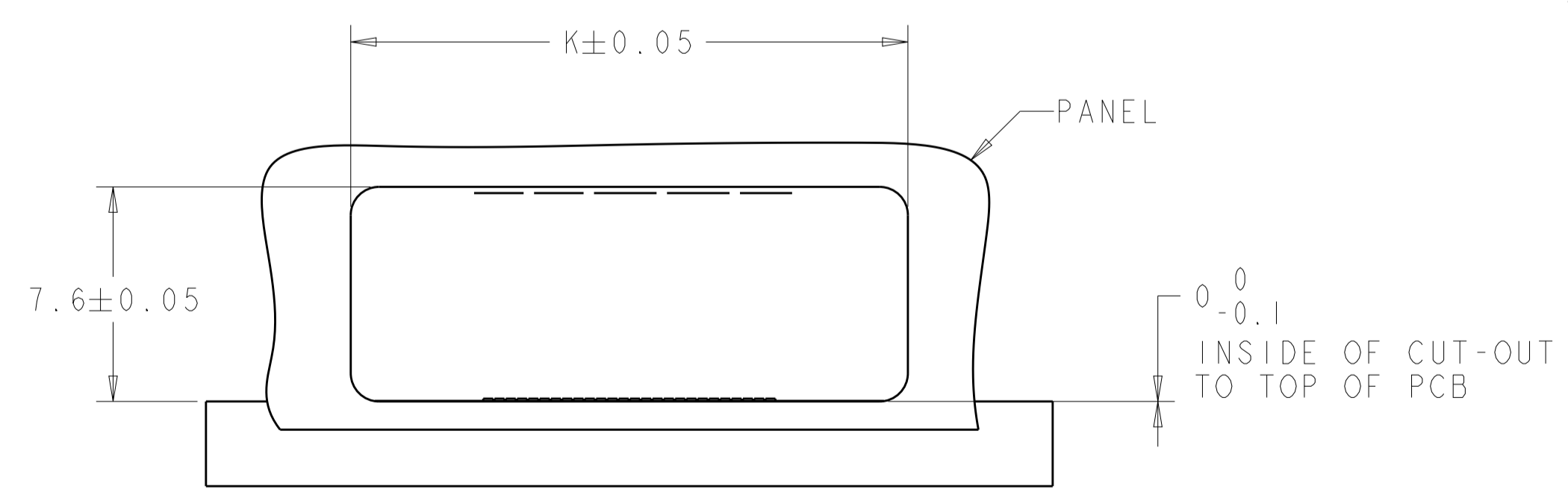
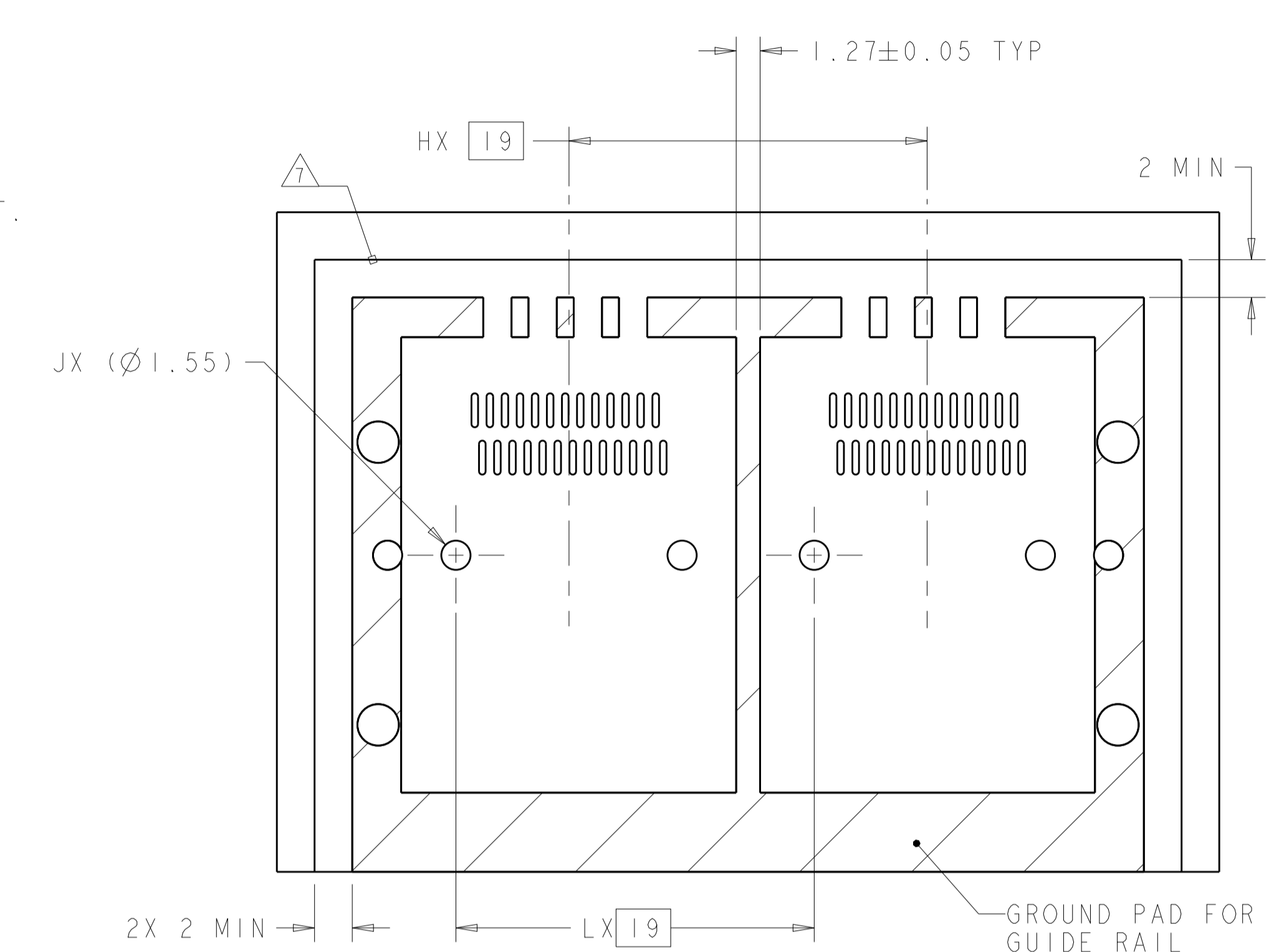
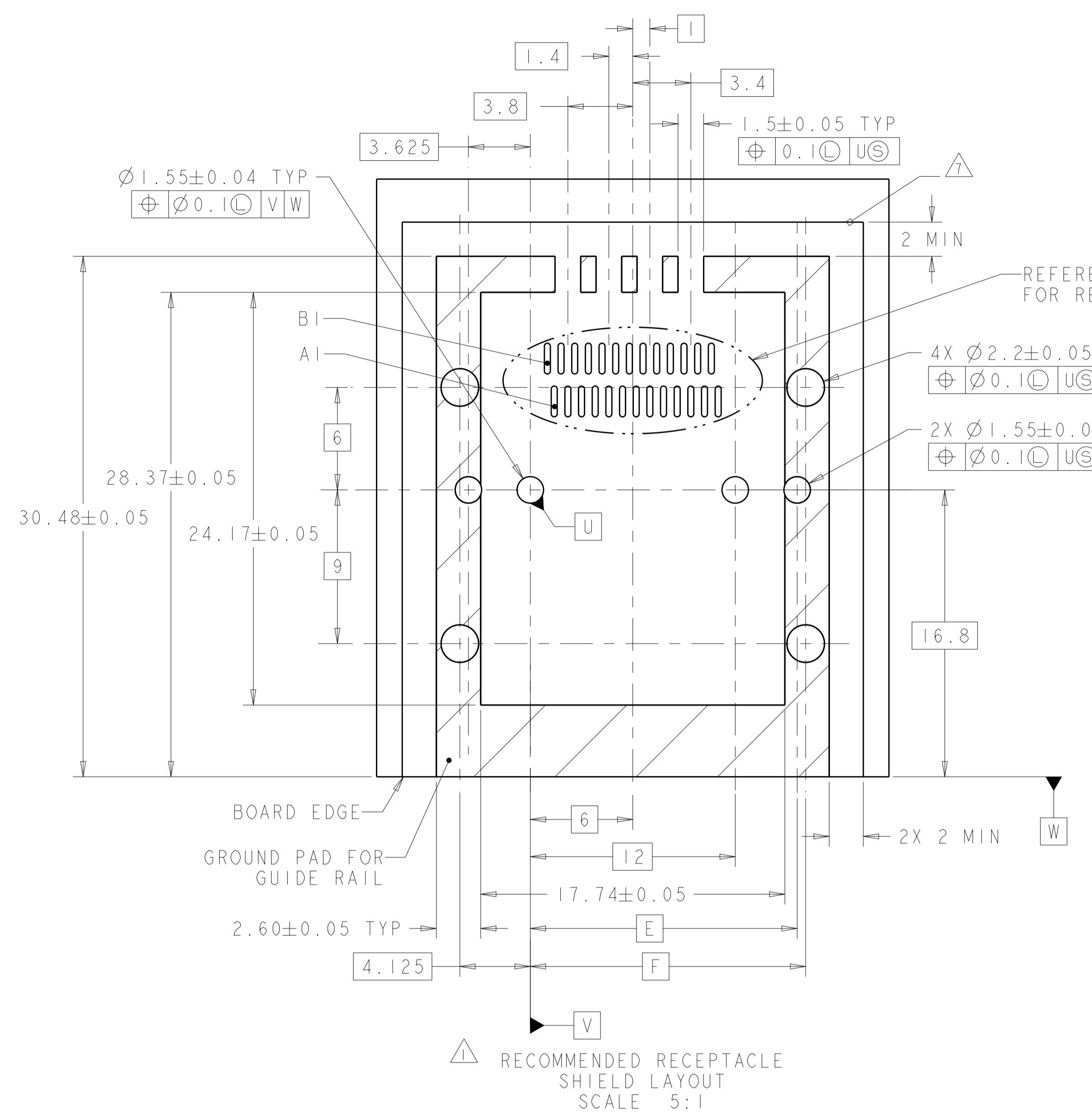
RECOMMENDED MULTI-PORT LAYOUT,  
 SAME AS 1888321-1, EXCEPT AS SHOWN  
 SCALE 5:1



SECTION A-A  
 SCALE 10:1

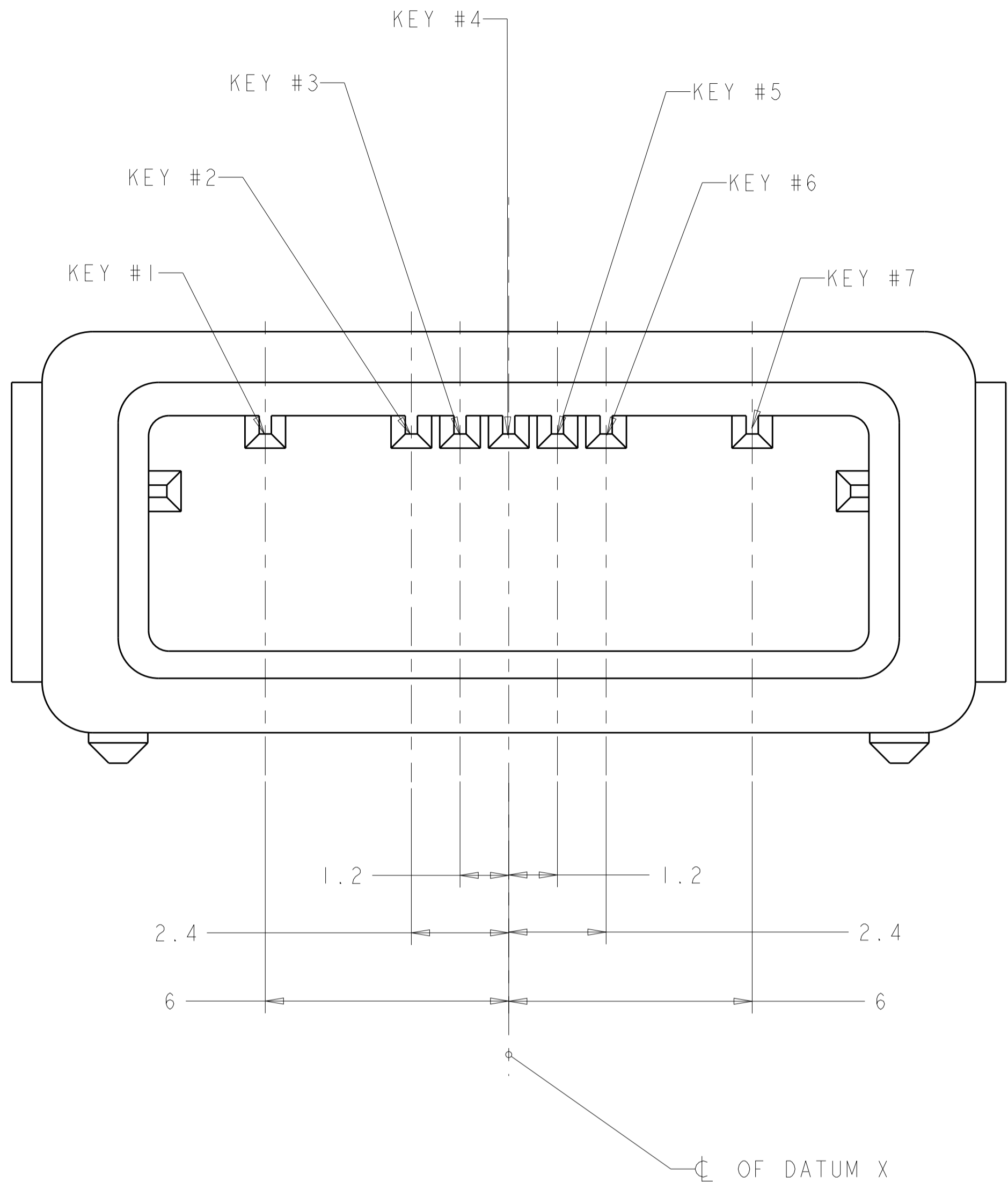
THIS DRAWING IS A CONTROLLED DOCUMENT. DIMENSIONING AND TOLERANCING PER ASME Y14.5M-2009.		DWN J. POLIGNONE 01AUG07	TE Connectivity										
DIMENSIONS: mm		CHK D. GORENC 01AUG07											
TOLERANCES UNLESS OTHERWISE SPECIFIED:		APVD D. GORENC 01AUG07	NAME EVERCLEAR Mini-SAS EXTERNAL RECEPTACLE SHELL ASSEMBLY										
<table border="1"> <tr> <td>0 PLC</td> <td>±</td> </tr> <tr> <td>1 PLC</td> <td>±</td> </tr> <tr> <td>2 PLC</td> <td>±</td> </tr> <tr> <td>3 PLC</td> <td>±</td> </tr> <tr> <td>4 PLC</td> <td>±</td> </tr> </table>		0 PLC	±	1 PLC	±	2 PLC	±	3 PLC	±	4 PLC	±	PRODUCT SPEC	SIZE CAGE CODE DRAWING NO. RESTRICTED TO
0 PLC	±												
1 PLC	±												
2 PLC	±												
3 PLC	±												
4 PLC	±												
MATERIAL SEE NOTES		APPLICATION SPEC	A100779C=1888321										
FINISH SEE NOTES		WEIGHT	SCALE 5:1 SHEET 2 OF 4 REV C										
		Customer Drawing											

LOC		DIST		REVISONS			
GP	00	P	LTN	DESCRIPTION	DATE	DMN	APVD
		-		SEE SHEET 1			



THIS DRAWING IS A CONTROLLED DOCUMENT. DIMENSIONING AND TOLERANCING PER ASME Y14.5M-2009.		DMN: J. POLIGNONE 01AUG07	TE Connectivity NAME: EVERCLEAR Mini-SAS EXTERNAL RECEPTACLE SHELL ASSEMBLY
DIMENSIONS: mm		CHK: D. GORENC 01AUG07	
TOLERANCES UNLESS OTHERWISE SPECIFIED:		APVD: D. GORENC 01AUG07	PRODUCT SPEC
0 PLC ±			APPLICATION SPEC
1 PLC ±			WEIGHT
2 PLC ±			Customer Drawing
3 PLC ±			SCALE 3:1
4 PLC ±			SHEET 3 OF 4
ANGLES ±			REV C
FINISH SEE NOTES			

LOC	DIST	REV	DATE	BY	APPV
GP	00				
REVISIONS					



POSSIBLE KEYING POSITION LOCATIONS  
 SCALE 10:1

- △ LOCATIONS OF DATUMS TO BE DETERMINED BY THE CUSTOMER.
- △ ZINC DIE CAST PER ASTM B 86.
- △ PASSIVATE PER ASTM B 102 OVER 2.54µm MINIMUM NICKEL PLATE PER QQ-N-290 OVER 5.08µm MINIMUM COPPER PLATE PER AMS 2418
- △ OMNI DIRECTIONAL CONDUCTIVE FOAM
- △ SHELLS AFFIXED TO PCB VIA CUSTOMER SUPPLIED M2 x 0.4mm THREADED SCREWS.
- 6. PRODUCT USED IN CONJUNCTION WITH SURFACE MOUNT CONNECTOR 1761987-1.
- △ RAISED SOLDER MASK KEEP OUT AREA, APPLIES TO AREA INSIDE BOX.
- △ PRELIMINARY NOT RELEASED FOR PRODUCTION.
- △ DATE CODE APPLIED IN GENERAL AREA AS INDICATED.

	I	38.75	4	I	I	35.125	34.625	42	39.25	38.25	38.25	4	4	-	-	2	2-1888321-2
	I	38.75	4	I	I	35.125	34.625	42	39.25	38.25	38.25	2-4	2-4	-	-	2	1-1888321-3
	I	38.75	4	I	I	35.125	34.625	42	39.25	38.25	35.25	4-6	2-4	-	-	2	1-1888321-2
	I	38.75	4	I	I	35.125	34.625	42	39.25	38.25	38.25	2	6	-	-	2	1-1888321-1
	I	38.75	4	I	I	35.125	34.625	42	39.25	38.25	38.25	2	2	-	-	2	1-1888321-0
	N/A	19.75	2	N/A	N/A	16.125	15.625	23	20.25	19.25	19.25	4-6	-	-	-	1	1888321-9
	N/A	19.75	2	N/A	N/A	16.125	15.625	23	20.25	19.25	19.25	2-4	-	-	-	1	1888321-8
	N/A	19.75	2	N/A	N/A	16.125	15.625	23	20.25	19.25	19.25	6	-	-	-	1	1888321-7
	N/A	19.75	2	N/A	N/A	16.125	15.625	23	20.25	19.25	19.25	2	-	-	-	1	1888321-6
OBSOLETE	3	76.75	8	3	3	73.125	72.625	80	77.25	76.25	76.25	4	4	4	4	4	△ 1888321-4
OBSOLETE	2	57.75	6	2	2	54.125	53.625	61	58.25	57.25	57.25	4	4	4		3	△ 1888321-3
	I	38.75	4	I	I	35.125	34.625	42	39.25	38.25	38.25	4	4	-	-	2	1888321-2
	N/A	19.75	2	N/A	N/A	16.125	15.625	23	20.25	19.25	19.25	4	-	-	-	1	1888321-1
	L	K	J	H	G	F	E	D	C	B	A	KEYING POSITION				# OF PORTS	PART NUMBER
												PORT 1 (SINGLE PORT)	PORT 2	PORT 3	PORT 4		

THIS DRAWING IS A CONTROLLED DOCUMENT. DIMENSIONING AND TOLERANCING PER ASME Y14.5M 2009. TOLERANCES UNLESS OTHERWISE SPECIFIED:

DIMENSIONS:	mm	0 PLC ±	1 PLC ±	2 PLC ±	3 PLC ±	4 PLC ±	ANGLES	FINISH	SEE NOTES
-------------	----	---------	---------	---------	---------	---------	--------	--------	-----------

Customer Drawing

DATE: 01AUG07  
 CHK: D. GORENC  
 APVD: D. GORENC

NAME: EVERCLEAR Mini-SAS EXTERNAL RECEPTACLE SHELL ASSEMBLY

SIZE: A1  
 CAGE CODE: 100779  
 DRAWING NO: 1888321

SCALE: 3:1  
 SHEET: 4 OF 4  
 REV: C